

GIBSON

valves



*butterfly check
mounting solution
replacing SDNR Globe valves*

BUTTERFLY CHECK valves

BCKI Series

replacing conventional SDNR Globe valves



butterfly check advantages:

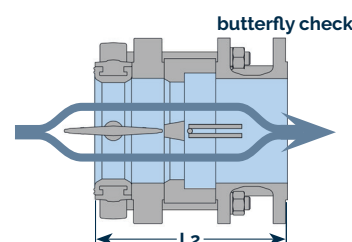
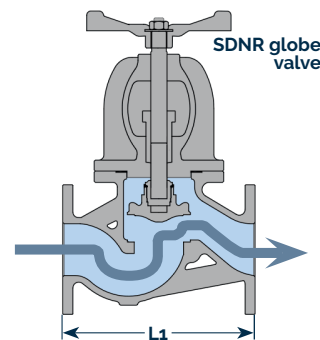
- Vast increase of operational safety vs conventional SDNR valves.
- Increased applicability for using various types of actuation.
- Enable usage of same actuators as for other actuated valves in the same projects, simplifying interface to RCS.
- Easy installation with possibilities of welding ends and other flange versions.
- Pricing advantage vs actuated SDNR valves. The larger size, the larger cost benefit.
- Easy change from manual to actuated operation without dismantling the valve assembly.

- Different sizes and material available on request. Standard/ special executions.
- higher KV flow capacity rating than conventional SDNR globe valves

CV values examples:

DN	CV (KV = CV/1,16)	
	* SDNR globe valve	B&C mounting
125	215	1160
150	353	1708
200	474	2977

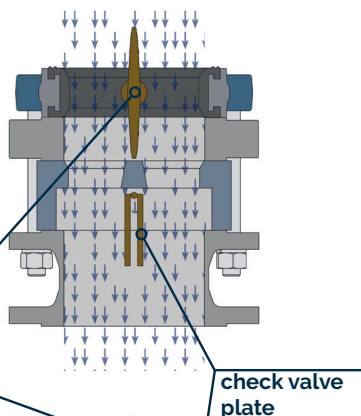
* values are purely indicative



NOTE: L2=L1

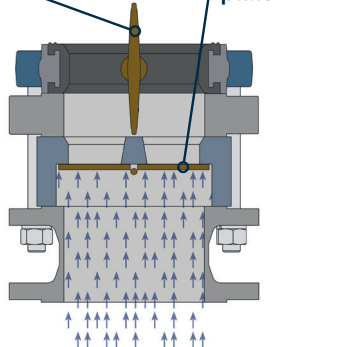
correct flow direction:

- butterfly-disc open,
- check-plate open



wrong flow direction:

- butterfly-disc open,
- check-plate closed



DN range 50÷200

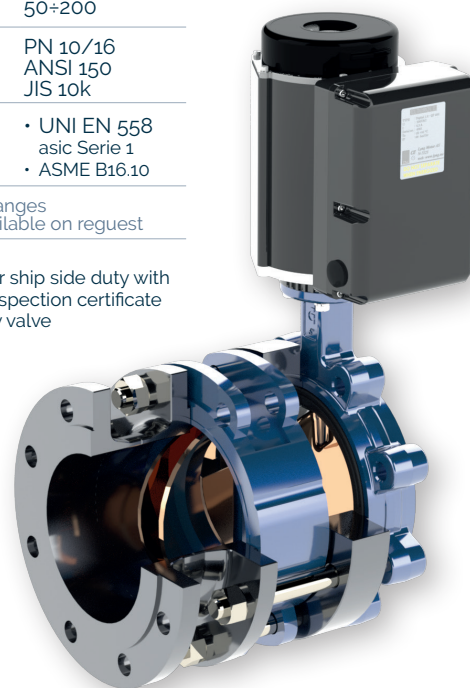
flange connection PN 10/16
ANSI 150
JIS 10k

face to face • UNI EN 558
asic Serie 1
• ASME B16.10

Different DN, flanges and design available on request

certification

Can be used for ship side duty with class society inspection certificate for the butterfly valve



butterfly valve materials

SOFT SEATED BUTTERFLY VALVES

other materials at request

body

Ductile iron EN-GJS 400-15 (GS400)

disc

Stainless steel ASTM A351 CF8M (A316)

Alu-Bronze ASTM B148-C958.00

seat

EPDM copolymer EPDM

NBR nitrile rubber

Ghibson Italia srl reserves the right to change and/or update data and content without previous notice.

check valve materials

DOUBLE PLATE CHECK VALVE

other materials at request

body

Ductile iron EN-GJS 400-15 (GS400)

plates

Alu-Bronze ASTM B148-C958.00

Stainless Steel SS 316

springs

Stainless steel SS 316 / Inconel

seat

EPDM copolymer EPDM

NBR nitrile rubber

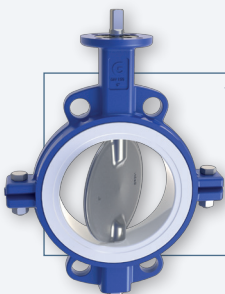
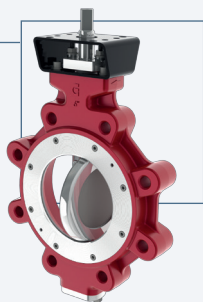
BUTTERFLY VALVES

GHIBSON ITALIA

can now boast of more than 35 years of experience in manufacturing of industrial valves. We export our products all over the world always providing our customers the best assistance during all the phases: design, installation, maintenance.

HIGH PERFORMANCE

specifically designed for high demanding applications where the valve performance is critical. Available in different materials and ratings. The Fire safe version is Fire tested to API 607-6th ed.

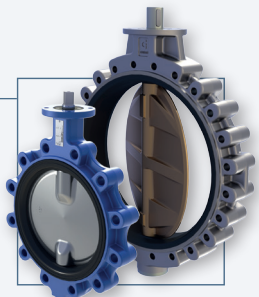


PTFE SEATED

available in a wide range of materials combinations, and specifically designed for the chemical industry and heavy duty applications.

RUBBER SEATED

designed to fit in industrial applications from powder conveyance to marine and petrochemical requirements.

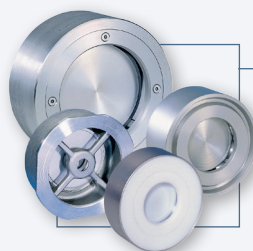


DAMPER VALVES

fully manufactured and designed according to customer requirements, mainly used with high temperature combined with low pressure applications.



CHECK VALVES



DISC TYPE

represent an extensive combination of solutions starting from low pressure design up to 160 Bars.

SWING TYPE

manufactured in many materials as well as pressure ratings and flange connections. Available for general purpose applications and also with spring loaded flap.



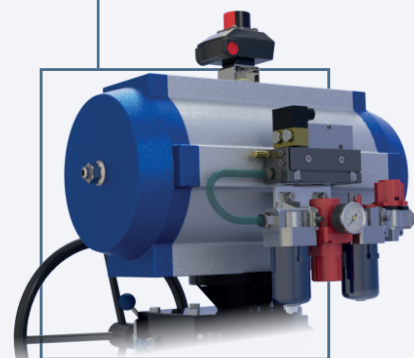
ACTUATORS & OPTIONS

Ghibson offers a wide range of actuators and accessories for valve automation. Normally supplied as part of complete assemblies with valves divided into the following types:

PNEUMATIC

Pneumatic actuators are based on rack and pinion technology, very compact and reliable.

Available with different options for any kind of industrial applications and ambient conditions. With all types of accessories. Standard/special executions.



ELECTRIC

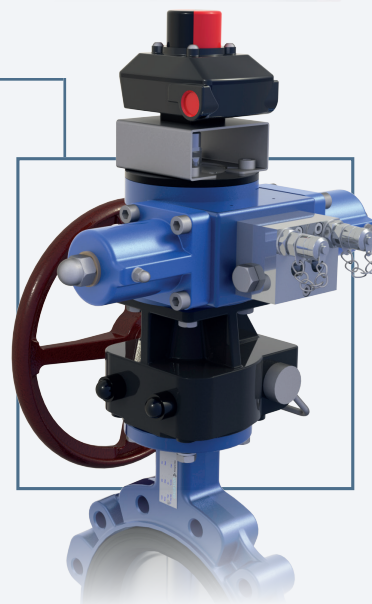
Electric actuators are available in different versions for ON-OFF and/or regulating applications.

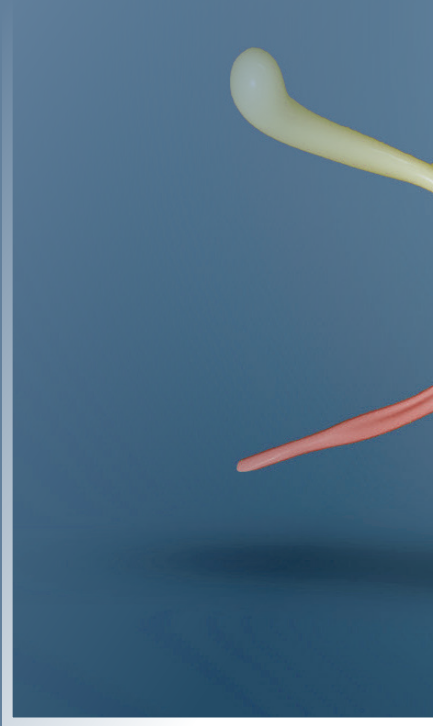
Electric actuators also include Atex versions as well a wide range of customizations.



HYDRAULIC

Ghibson's own manufactured hydraulic actuators (ARES series) are designed to fulfill the specific requirement in industrial applications: compact design and high performance are the main characteristics of this product range





ghibsonvalves.com

Ghibson Italia srl

Via Dozza, 2 40069 Zola Predosa BO Italy

tel +39 051 835711

info@ghibson.it